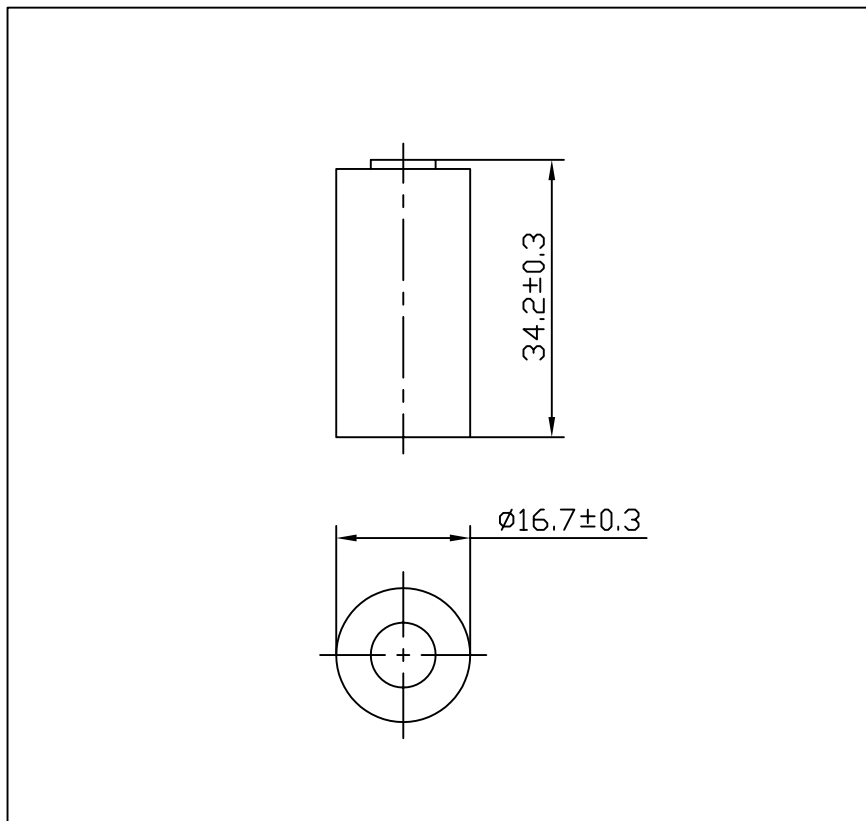


CR123A

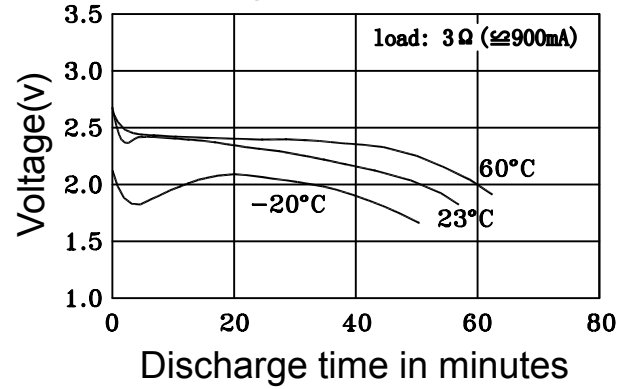
Lithium cylindrical cell (Data Sheet)

Specification

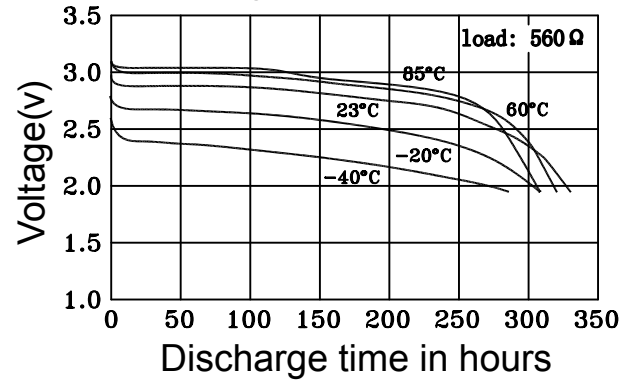
Nominal Voltage		3.0V
Dimensions	Diameter	16.7±0.3mm
	Height	34.2±0.3mm
	Apx. Weight	16g
Standard Discharge Current		10mA
Nominal Capacity		1300mAh
Maximum Continuous Discharge Current		1000mA
Maximum Pulse Discharge Current		3000mA
Temperature Range (°C)		-40, 60



Discharge characteristics



Discharge on temperature



Pulse discharge

