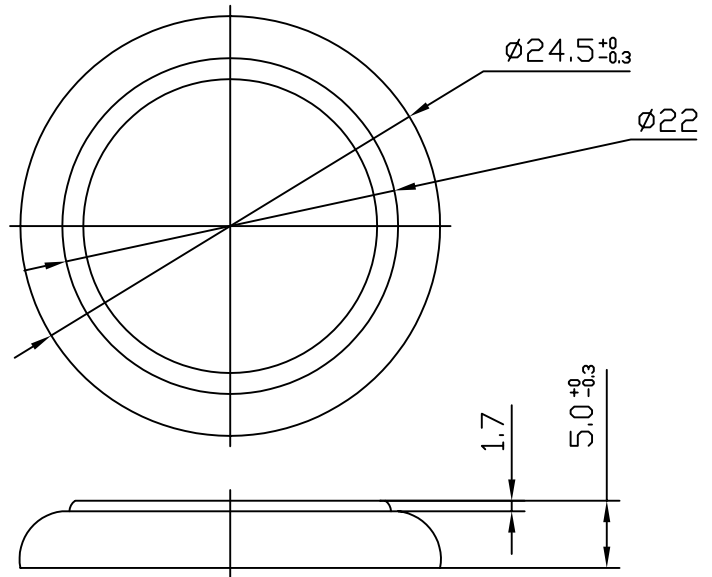


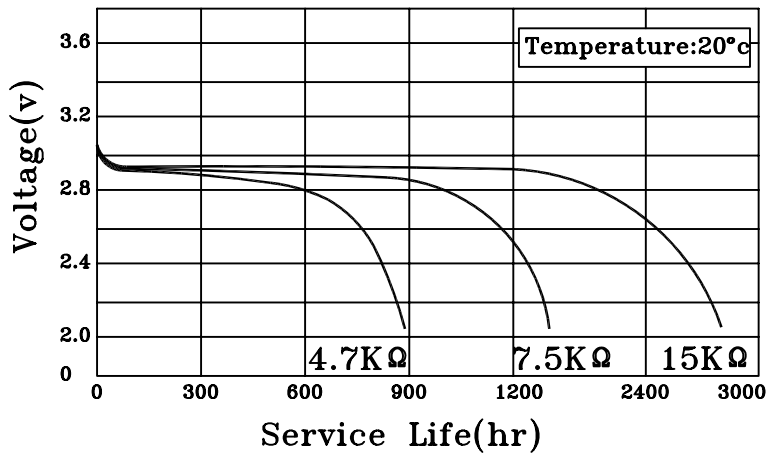
CR2450

Lithium coin cell (Data Sheet)

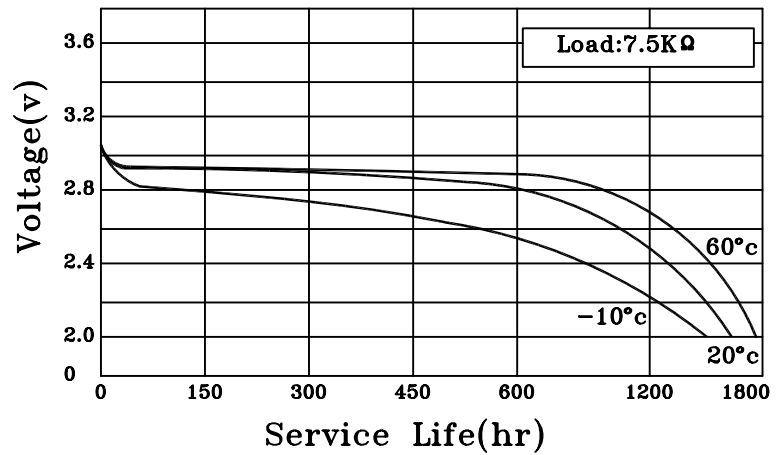
CR2450	
Nominal Voltage	3(V)
Nominal Capacity	600(mAh)
Load Resistance	7.5(K Ω)
Weight	6.7(g)
Using Temperature	-20°C~60°C



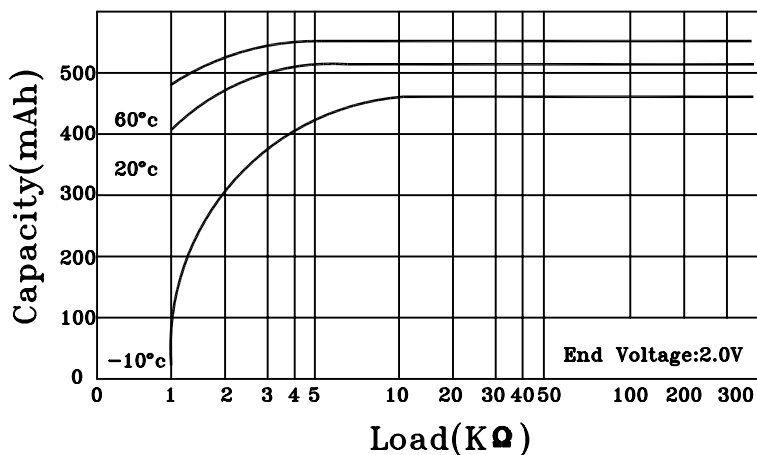
Discharge Characteristics



Temperature Characteristics



Load-capacity



Pulse Discharge Characteristics

