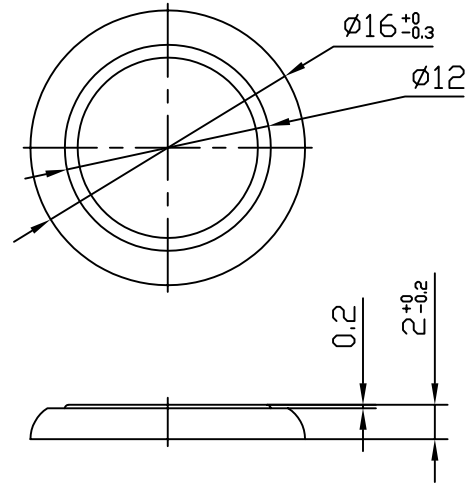


CR1620

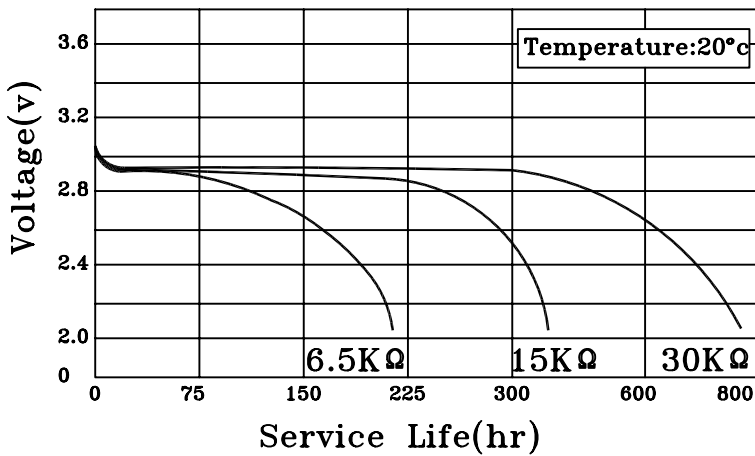


Lithium coin cell (Data Sheet)

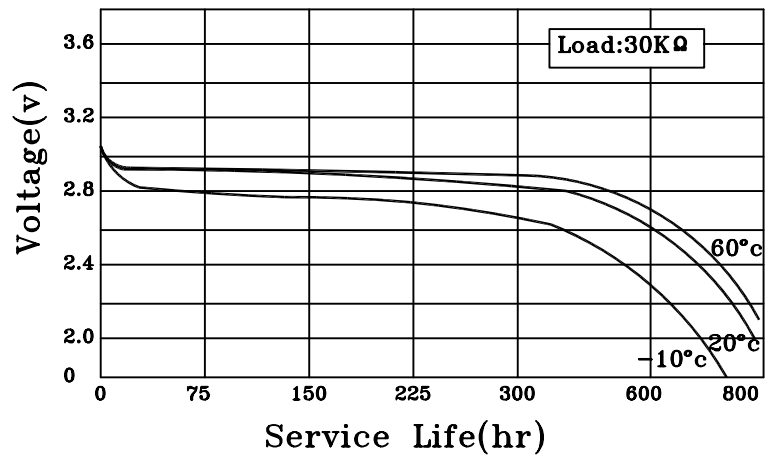
CR1620	
Nominal Voltage	3(V)
Nominal Capacity	75(mAh)
Load Resistance	30(K Ω)
Weight	1.3(g)
Using Temperature	-20°C~60°C



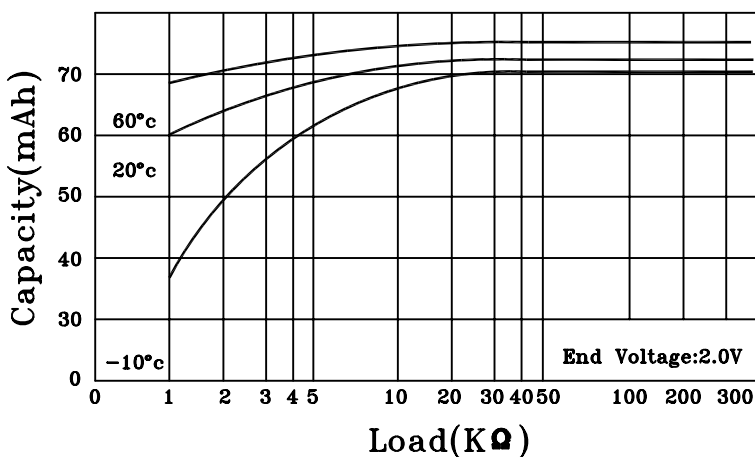
Discharge Characteristics



Temperature Characteristics



Load-capacity



Pulse Discharge Characteristics

